

HB21 Bearing Sensors

Adjustable Bearing Temperature Sensors

Hazard Monitoring, Anytime, Anywhere.

Maxi-Tronic leads the industry in providing a wide variety of reliable, low cost temperature sensors for all your hazard monitoring needs.

HB21™ sensors are ideal for bearings, gear boxes, bucket elevators, mills, grinders, conveyors, mechanical drives and most other material handling equipment.

Use these "Hot Bearing" sensors with Maxi-Tronic Temperature Controllers and all PLC/PC based systems. Combine with the Maxi-Tronic MaxiScan™ 12M or 24+ Underspeed Detection and Temperature Controllers for complete hazard monitoring protection.

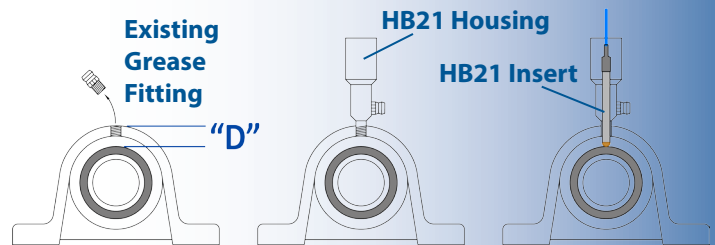
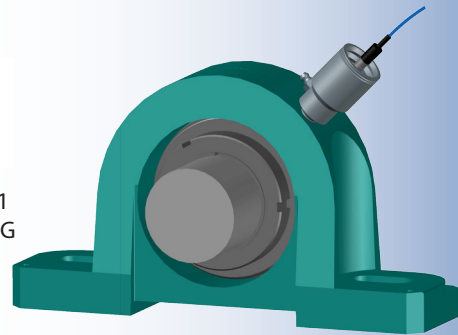
HB21™ Sensors in Action

- Easy-to-adjust length for any size bearing.
- HB21 Series Bearing Sensors allow greasing the bearing without removing the sensor.
- Easy to install and maintenance free. Just screw the stainless "Housing" into an existing 1/8", 1/4" or 8mm Zerk fitting hole then slide in an "Insert".
- Sensing element is located at the bearing race for the most rapid and accurate readings. Brass-tipped for improved thermal conductivity and accuracy.
- CSA certified maximum ambient temperature rating: 221°F (105°C). Non-hazardous rating: -40°F (-40°C) to 250°F (127°C). Max. 329°F (165°C) on request.

- CSA Certified Class II, Div. 1, Groups E, F, G.
- Extremely rugged design.
- Industry standard TC, RTD, PTC and "1-Wire" digital sensors for industry wide compatibility.



Class II Div. 1
Groups E, F, G



Sensor Type Options:

- **Thermocouple:** Type T, others types available.
- **RTD:** Industry standard PT100, 4 conductor (2, 3 and 4-wire compatible).
- **PTC Thermistor:** "HBRB" and MaxiScan compatible.
- **DigiMax™ Digital:** "1-Wire" digital for DigiMax™ and MaxiScan 12/24+ Controllers and MaxiTrack™ PC software.

Inserts: 3" length Inserts for "D" = .25" to 1.5"
4.5" length Inserts for "D" = 1" to 3"
6" length Inserts for "D" = 2.5" to 4.5"; Longer available

Adjustable Housings: #HB21.HSNG.18 for 1/8" NPT Zerk fitting and #HB21.HSNG.14 for 1/4" NPT Zerk fitting.

- Integrated 1/2" NPT conduit fitting.
 - "Simple Apparatus" for Intrinsically Safe installations with an approved barrier.
 - Fully compatible with PLCs, DigiMax, MaxiScan 12/24 controllers and MaxiTrack remote monitoring PC software.
- 1-Wire® is a registered trademark of Maxim Integrated Products, Inc.

MAXI-TRONIC
INCORPORATED

417 Wards Corner Rd., Loveland, OH, 45140

513-398-2500

MT-1023-202011

800-659-8250

www.maxitronic.com

info@maxitronic.com