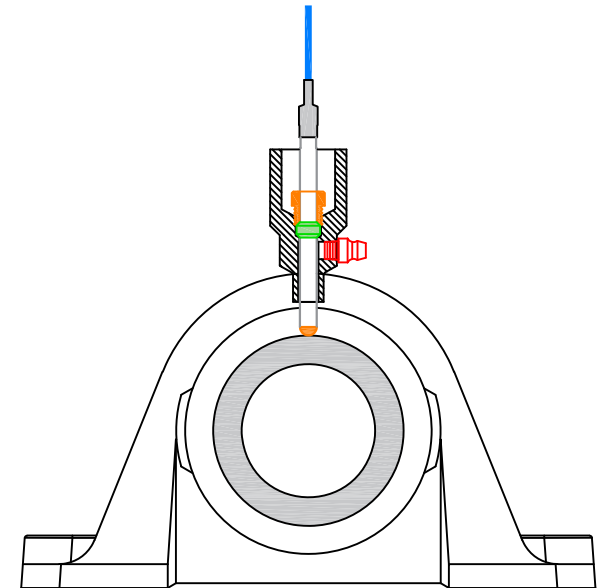
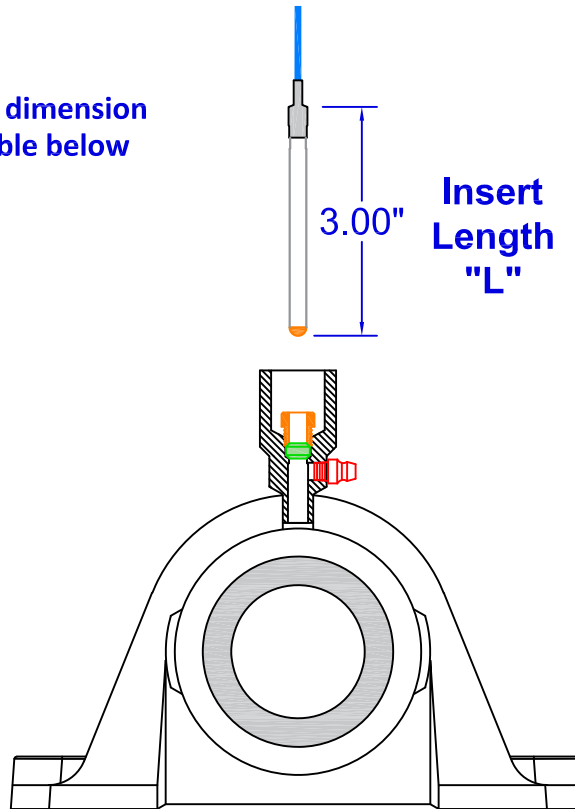
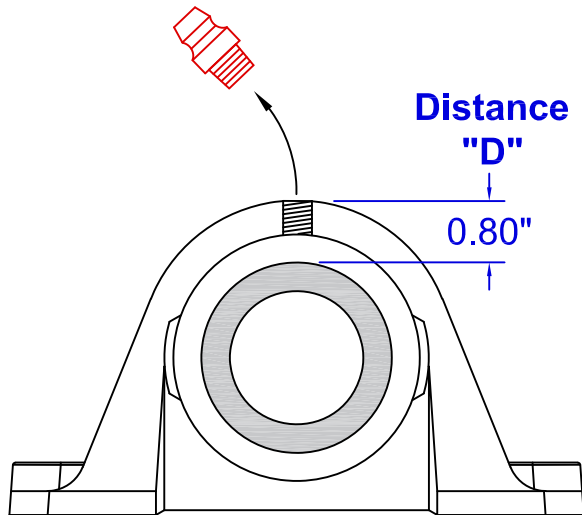


Distance "D" = Bearing surface-to-race dimension
Insert Length "L" = Insert length per table below



See the HB21 Installation Guide for complete installation details.

- 1) Remove existing grease fitting.
- 2) Use a depth gauge to measure the distance from the bearing surface to the bearing race.
- 3) Use the table below to determine which length of HB21 "Insert" is needed.

Conversion table for converting from older HB (non-21) Inserts to the new HB21 adjustable Inserts:

Bearing Distance "D"	HB21 Insert Length "L"
.25" to 1.5"	3"
1" to 3"	4.5"
2.5" to 4.5"	6"

HB21 Insert Length "L"	Older "HB" Insert Lengths
3"	1.5" to 2.75"
4.5"	3" to 4"
6"	4.5" and larger

MAXI-TRONIC, INC.
LOVELAND, OHIO 45140

www.maxitronic.com 513-398-2500

PRODUCT: HB21
 Adjustable Bearing Temperature Sensor

TITLE: **Insert Selection Guide**

DWG NO. A-17-HB21-ISG DATE: 6-5-2017 DWG REV: 1