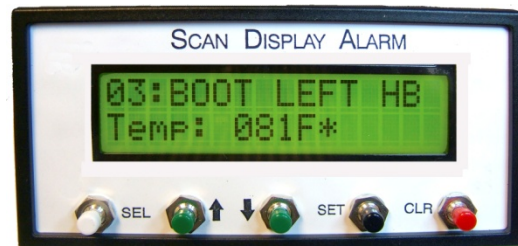


# MTDT24 24-POINT TEMPERATURE SCANNER

## Installation & User Manual

5-30-2012



**MAXI-TRONIC**  
INCORPORATED

Maxi-Tronic, Inc.  
1 Fī Å æå• ÅÔ[ !} ^! ÅÜ[ æå  
Loveland, OH 45140 USA  
513-398-2500 / 800-659-8250 / Fax: 513-398-2536  
[www.maxitronic.com](http://www.maxitronic.com) [info@maxitronic.com](mailto:info@maxitronic.com)

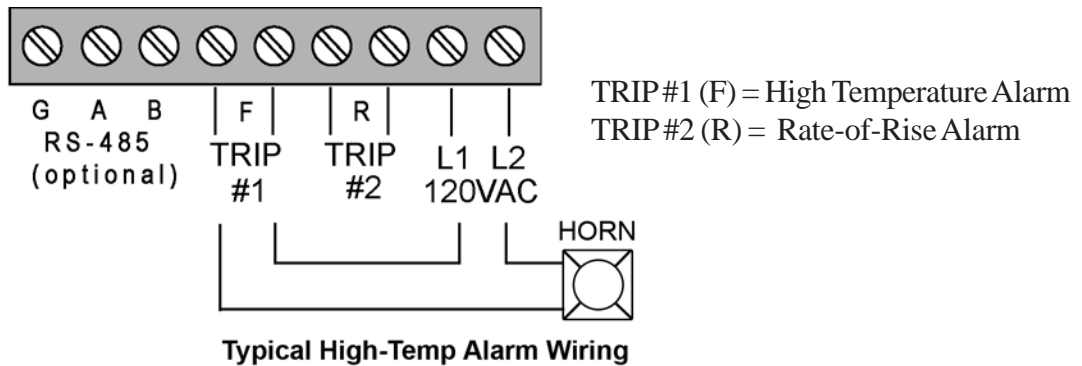


## **INPUT POWER:**

Input power should not be applied until all thermocouple sensor inputs have been connected! Connect 115 VAC\* input voltage to terminals #1 and #2. For wall mount units, these will be the two terminals closest to the internal transformer. Units are factory set up for 115VAC input voltage, \*contact Maxi-Tronic for a 230VAC model.

The RS-485 output is fully compatible with MaxiTrack remote monitoring system providing data archiving, and email and cell-phone alarm notifications.

Note: If this unit is being used within a Maxi-Tronic multi-monitor control housing the input power will be pre-wired.



## **RELAY OUTPUTS:**

Relay contacts are rated at 5 amps @117VAC, SPST, N/O or N/C user selectable. Scanners are set for N/O relay operation at the factory.

High-Temperature alarm (F) relay output is located on terminals #5 and #6. If this is being used within a Maxi-Tronic multi-monitor, this will be pre-wired for a common alarm output (typically through DIN-rail isolation relays) with other Maxi-Tronic controls.

Rate-of-Rise alarm (R) relay output is located on terminals #3 and #4 on the terminal strip.

## **SYSTEM TESTING:**

Disconnect a sensor wire and the scanner should sound the alarm and display the sensor number. A display of 230F indicates a broken (open) thermocouple sensor wire.

## **SYSTEM CONFIGURATION**

After making any configuration changes to the MTDT24, you should cycle the power (off for a couple seconds then back on) of the MTDT24 to reset it.

The following options are available through the MTDT24 menu system:

## **SCAN RATE:**

The sensor scan rate is adjustable from 1.0 to 4.0 seconds per sensor.

The Scan option is selectable for Automatic scanning or Manual operation.

## ALARM OPERATION:

Each sensor's alarm can be enabled or disabled. An asterisk will display next to each sensor's temperature reading when its alarm is enabled. Ex.: **24: Temp: 073F\***

### High-Temperature alarm:

The High-Temperature alarm setpoint is the same for all sensors. If you want the High-Temperature alarm to activate at 140°F, then all sensors will alarm at that point. If the High-Temperature setpoint is reached on a sensor, an "F" will display along with the sensor number that tripped the alarm. Example: **F 24**

NOTE: Relay #1 will remain tripped until the temperature falls back below the alarm set-point.

### Rate-of-Rise alarm:

The Rate-of-Rise alarm is adjustable from 1° to 99° F (Ex.: 10F) temperature change. If the temperature increases by this amount from the previous scan then the alarm will trip. This setting is the same for all sensors. If the Rate-of-Rise limit is reached on a sensor, an "R" will display along with the sensor number that tripped the alarm. Example: **R24**

NOTE: Relay #2 will remain tripped only while the rate-of-rise limit is exceeded for a scan cycle.

## SILENCING THE ALARM:

**PRESS THE "SET" or "CLR" BUTTON TO SILENCE THE ALARM(s).**

☞ **Note: "SET" will allow the scanner to continue scanning BUT will prevent any new alarms from tripping until the unit is reset.**

☞ **Note: "CLR" will silence the alarms and stop the unit from scanning. Placing the unit back in scan mode will reset the unit and allow new alarms to trip.**

The alarm will be silenced as long as any sensor remains tripped. When all sensor(s) gets back within limit and the alarm condition no longer exists then the silenced alarm will automatically reset and re-enable itself. You can manually reset and re-enable a silenced alarm by :

- Pressing CLR, then going back into Scan mode.
- Or, by cycling the power (off for a couple seconds then back on) of the MTDT24 unit.

To lock-out a sensor (i.e. a malfunctioning sensor) and prevent it from tripping false alarms, DISABLE that sensor. Restart (cycle the power) the MTDT24 after making this change.

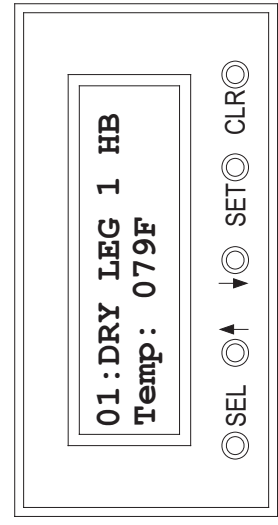
## PROGRAMMING:

The unit is programmed through the 5 pushbutton switches on the front of the control.

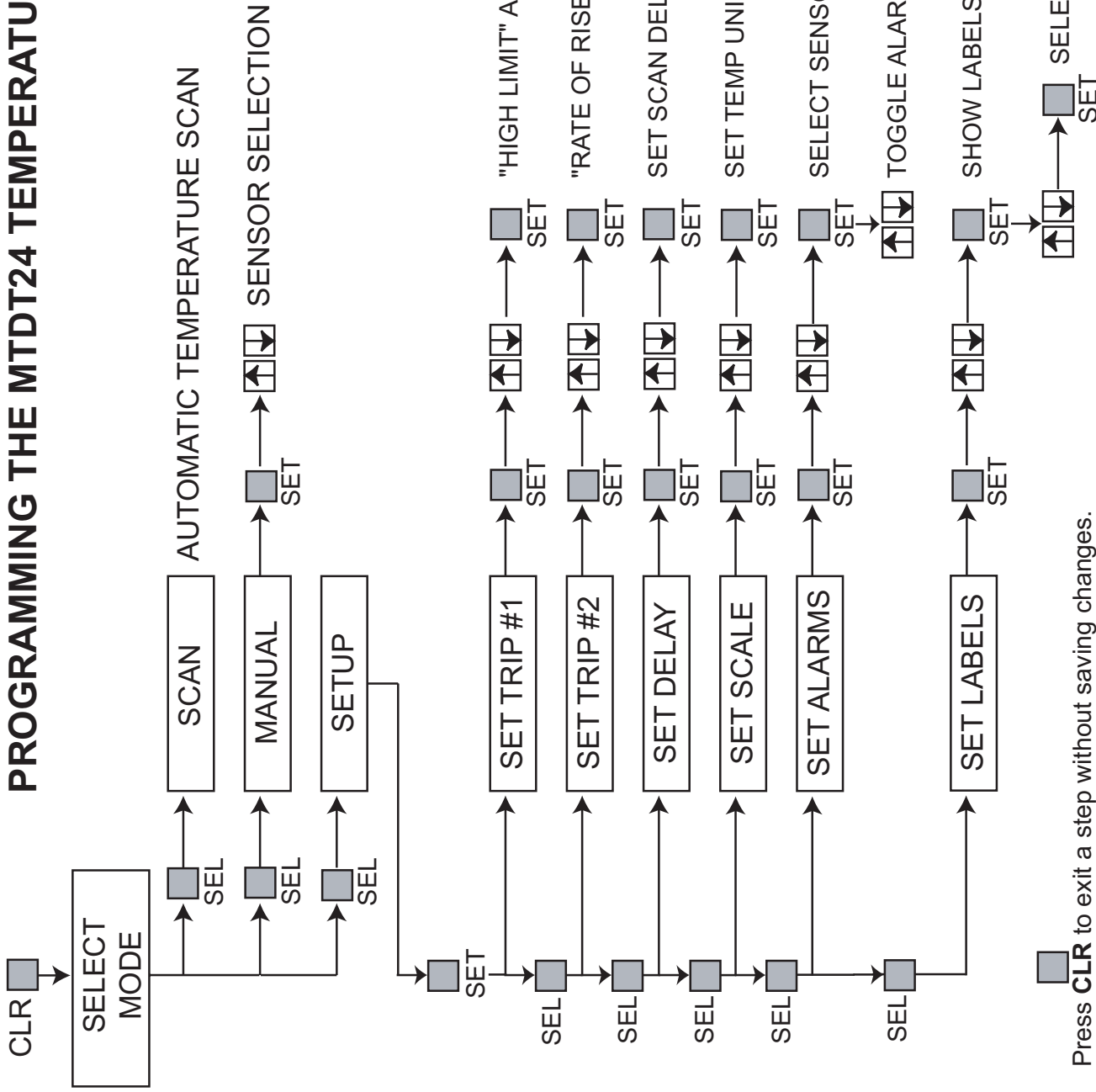
- Press SEL to step through the options.
- Press SET to pick an option.
- Use the arrow keys to step through sensors, toggle a setting On /Off, and to enter characters and numbers.
- Press SET after using the arrow keys to 'enter' and save a change.
- If you make a mistake entering an ID, save it then go back in and re-enter the ID.

**Note: You are limited to 12 characters for a sensor ID, entering more will overwrite the following sensor's ID!**

# PROGRAMMING THE MTD24 TEMPERATURE SCANNER



RESET the unit after making programming changes. Do this by POWERING DOWN the unit for a few seconds.



Press **CLR** to exit a step without saving changes.

Moving the cursor (with **SET**) all the way to the right (position 13) will move you to the next sensor. **CAUTION:** This will delete any existing label on the next sensor. Press **SEL** to save and exit the current sensor without moving to the next sensor.

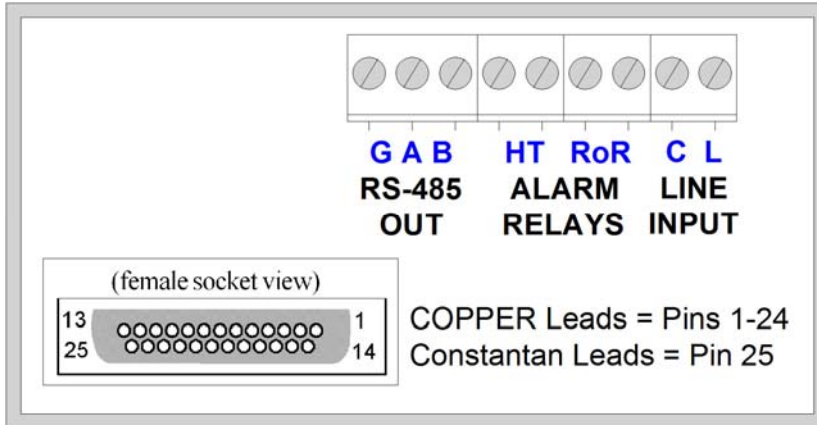
ENTER LABEL, 12 CHAR MAX. SET= NEXT CHARACTER  
SEL= SAVE & EXIT Do not press CLR on this step.



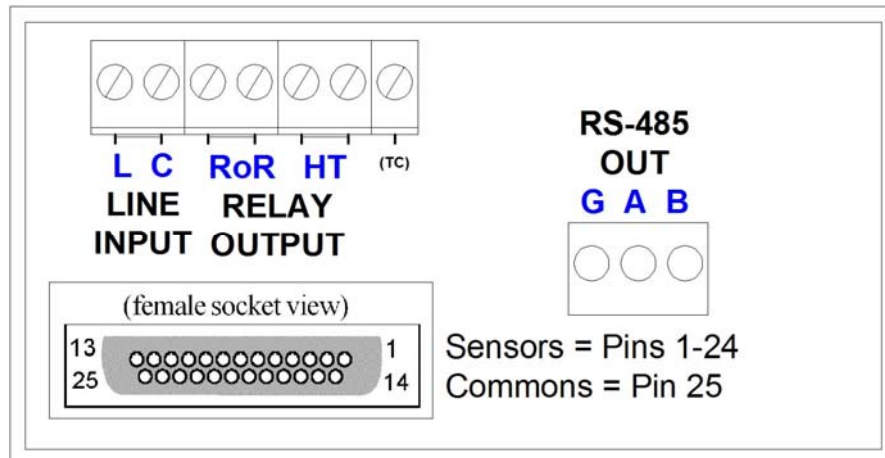
# MTDT24 Temperature Scanner Wiring

Series I and Series II

7-10-2008



Series I



Series II (Introduced 2008)

Supply: 120VAC 50/60 HZ

Relays: 5A, Normally Open. Closes on alarm

Maxi-Tronic, Inc.  
3530 Irwin Simpson Rd  
Mason, OH 45040  
513-398-2500 800-659-8250  
[info@maxitronic.com](mailto:info@maxitronic.com)

# PIGTAIL WIRING

The MTDT-24 Scanners are provided with a 'pigtail' cable pre-wired to the 25-pin D-Sub connector on the back of the unit. Crimp your sensor wiring to the pigtail, only use the supplied crimps.

## COLOR CODING FOR THE PIGTAIL

The pigtail consists of two 12TC leadwires soldered to a 25 pin D-Sub connector. Each leadwire has 2 Commons and 12 sensor inputs for a total of 4 commons and 24 inputs. The Commons (White and Brown) are wrapped around a "Group" of 6 Sensor Inputs wires. The Commons have a silver colored conductor and the Sensor Inputs have a copper colored conductor (pull the insulation back a little to see the color of the conductor inside).

**Match the polarity (silver-vs-copper conductor) when attaching sensors.**

Note: all the Commons are tied together and can be used interchangeably.

### LEAD WIRE #1

#### **WHITE COMMON GROUP**

<u>STATION#</u>	<u>COLOR</u>
1.	BLACK
2.	BLUE
3.	GREEN
4.	RED
5.	YELLOW
6.	CLEAR
<b>Common</b>	<b>WHITE</b>

#### **BROWN COMMON GROUP**

<u>STATION#</u>	<u>COLOR</u>
7.	BLACK
8.	BLUE
9.	GREEN
10.	RED
11.	YELLOW
12.	CLEAR
<b>Common</b>	<b>BROWN</b>

### LEAD WIRE #2

#### **WHITE COMMON GROUP**

<u>STATION#</u>	<u>COLOR</u>
13.	BLACK
14.	BLUE
15.	GREEN
16.	RED
17.	YELLOW
18.	CLEAR
<b>Common</b>	<b>WHITE</b>

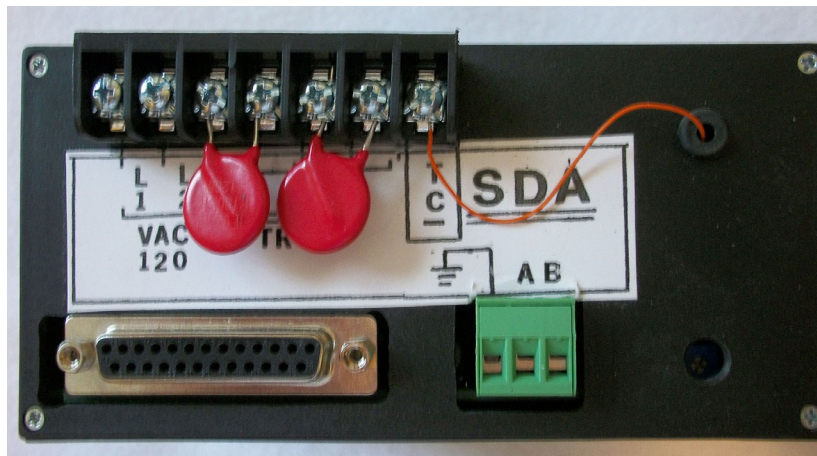
#### **BROWN COMMON GROUP**

<u>STATION#</u>	<u>COLOR</u>
19.	BLACK
20.	BLUE
21.	GREEN
22.	RED
23.	YELLOW
24.	CLEAR
<b>Common</b>	<b>BROWN</b>

Varistors are used to suppress electrical surges and “noise”. When used on an MTD24 Temperature Scanner they suppress the spark caused when the relay contacts are opened or closed.

**Specs: 130VAC Maximum.**  
**Contact Maxi-Tronic for other voltage options.**

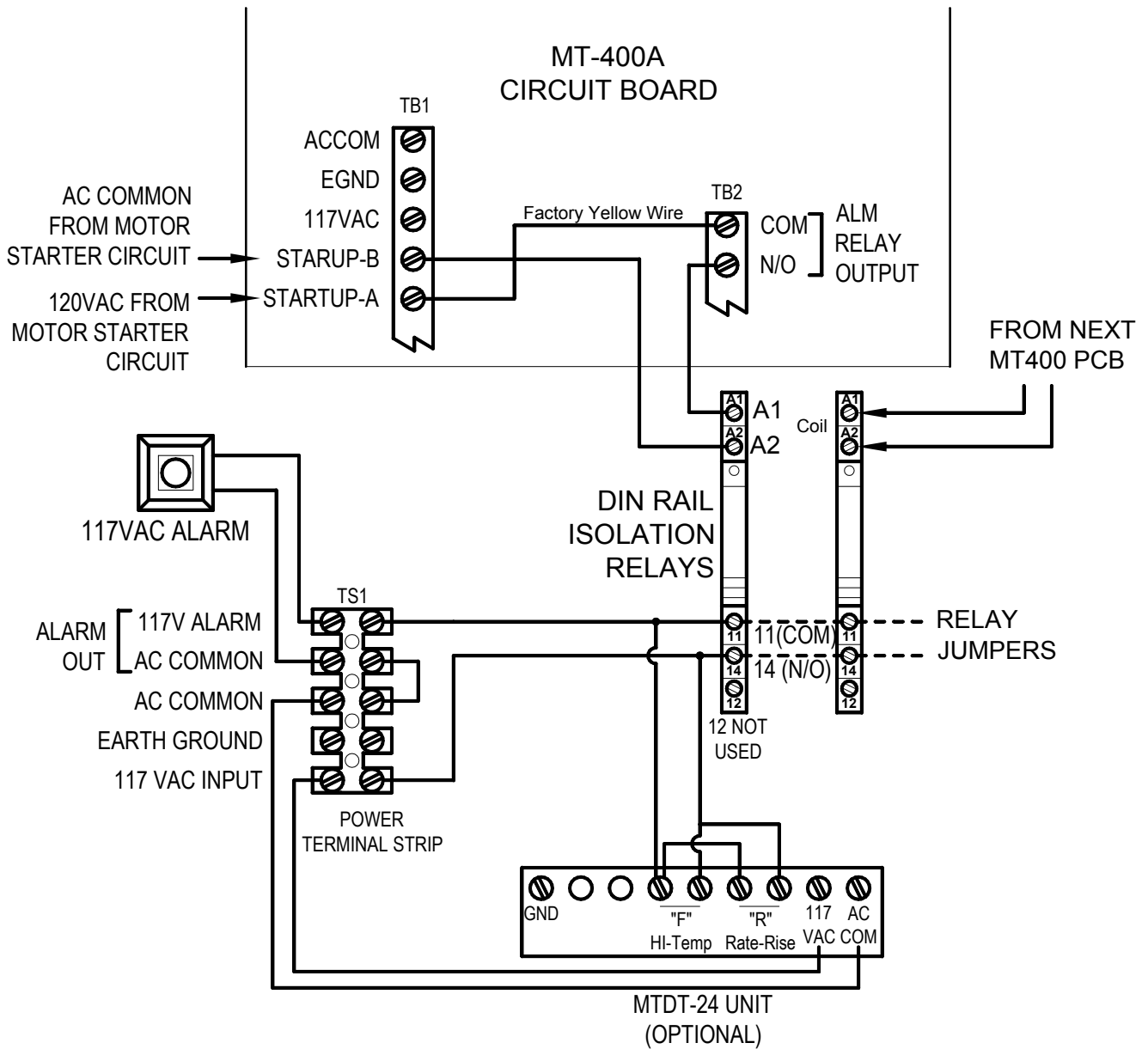
**Connect the varistors across each of the relay output terminals:**





417 Wards Corner Rd.  
 Loveland, OH 45140  
 TEL: 513.398.2500 FAX: 513.398.2536  
[www.maxitronic.com](http://www.maxitronic.com) [info@maxitronic.com](mailto:info@maxitronic.com)

## WIRING A SINGLE ALARM OUTPUT FOR MULTIPLE MOTION AND MTDT-24 TEMPERATURE SCANNER CONTROLLERS



# MaxiTrack Programming Worksheet

Complete one worksheet per: 1 Temperature Scanner (24 sensors) and up to 3 Motion controllers.


Company Name:  
Company Location:  
Maxi-Tronic Job #:

Worksheet #

MT400 Motion Controllers  
Leg Names:

	<u>Motion #1</u>		<u>Motion #2</u>		<u>Motion #3</u>
--	------------------	--	------------------	--	------------------

## MTD124 Temperature Scanner

**Temperature Sensor Names:**

Enter sensor name (up to 12 characters and spaces)

**Circle sensor type:**

HB= Bearing  
RB = Belt Misalignment

	<u>Name</u>	<u>Type</u>	<u>Name</u>	<u>Type</u>	<u>Name</u>	<u>Type</u>
1		HB RB	9	HB RB	17	HB RB
2		HB RB	10	HB RB	18	HB RB
3		HB RB	11	HB RB	19	HB RB
4		HB RB	12	HB RB	20	HB RB
5		HB RB	13	HB RB	21	HB RB
6		HB RB	14	HB RB	22	HB RB
7		HB RB	15	HB RB	23	HB RB
8		HB RB	16	HB RB	24	HB RB

**Scanner Location:**

**Scanner # (1-12):**

**High Temperature Trip:**

**Rate-of-Rise Trip (°/cycle):**

**Scan Rate (seconds per sensor):**

**Units:**

1 2 4
°F °C

**EchoTrack Remote Display**

**Display data for this Page on an EchoTrack?**

**EchoTrack location:**

**EchoTrack #:**

	Y N



Maxi-Tronic, Inc  
3530 Irwin Simpson Rd  
Mason, OH 45040  
800-659-8250  
[info@maxitronic.com](mailto:info@maxitronic.com)