

# UT21

## Universal Threaded Temperature Sensors

**Hazard Monitoring, Anytime, Anywhere.**

Maxi-Tronic leads the industry in providing a wide variety of reliable, low cost temperature sensors for all your hazard monitoring needs.

Ideal for bearings, gear boxes, bucket elevators, mills, grinders, conveyors, mechanical drives and most other material handling equipment.

Use these "Universal Threaded" sensors with Maxi-Tronic temperature controllers and all PLC/PC based systems. Combine with the Maxi-Tronic MaxiScan 12M Under-speed Detection and Temperature Controller for complete hazard monitoring protection.

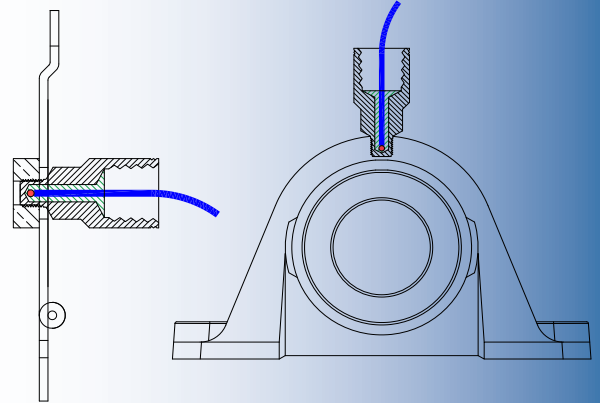
### UT21™ Sensors in Action

- Easy to install and maintenance free. Just screw the stainless "Housing" into an existing 1/8", 1/4" or 8mm Zerk hole.
- Sensing element is located at the bearing race for the most rapid and accurate readings. Brass-tipped for improved thermal conductivity and accuracy.
- Well suited to retrofit older rub-blocks to a new CSA Class II Div. 1 certified sensor.

- CSA Certified Class II, Div. 1 Groups E, F, G
- Extremely rugged design.
- Integrated 1/2" NPT conduit fitting.



US  
CSA Certified  
Class II Div. 1  
Groups E, F, G



Rub Block  
Retrofit

Bearing  
Temperature  
Sensor

### Sensor Types for "Inserts":

- **Thermocouple:** Type T, others types available.
- **RTD:** Industry standard PT100. 2- and 3-wire options.
- **PTC Thermistor:** "HBRB" and MaxiScan compatible.
- **DigiMax™ Digital:** "1-Wire" digital for DigiMax, PLC, MaxiScan 12/24 Controllers and MaxiTrack PC software.

### Housing Options:

- #HB21.HSNG.18N for 1/8" NPT holes.
- #HB21.HSNG.14N for 1/4" NPT holes.
- #HB21.HSNG.38M for 3/8" machine-threaded holes.
- #HB21.HSNG.8MM for 8mm metric holes.

- "Simple Apparatus" for Intrinsically Safe installation.
- Industry standard TC, RTD, PTC and "1-Wire" Digital sensors for industry wide compatibility.
- Fully compatible with PLCs, DigiMax, MaxiScan 12/24 controllers and MaxiTrack remote hazard monitoring PC software.

**MAXI-TRONIC**  
INCORPORATED

417 Wards Corner Rd., Loveland, OH, 45140

513-398-2500

MT-1024-201709

800-659-8250

[www.maxitronic.com](http://www.maxitronic.com)

[info@maxitronic.com](mailto:info@maxitronic.com)