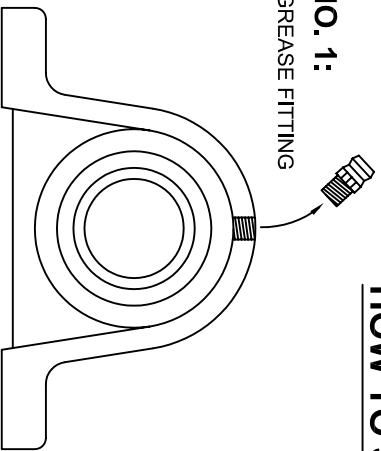


A DIMENSION IS TOTAL LENGTH OF PROBE.
B DIMENSION: ALL SENSOR PROBES HAVE .5" ADJUSTMENT THREAD..

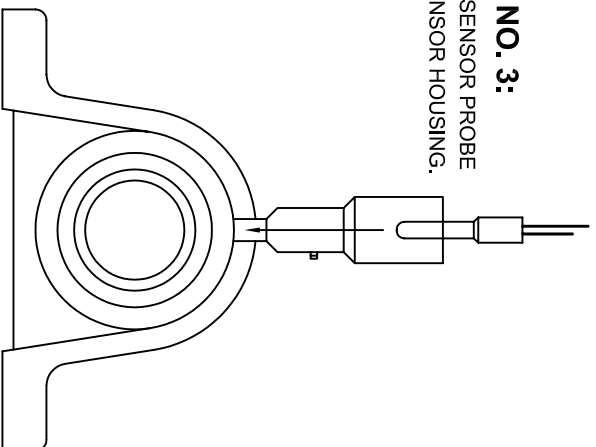
NOTE: SENSOR PROBES CAN BE ORDERED IN TOTAL LENGTHS OF:
STANDARD LENGTHS: 1.50", 2.00", 2.50", 2.75", 3.00", 3.50", 4.00", 4.50"

HOW TO SELECT THE PROPER PROBE LENGTH:

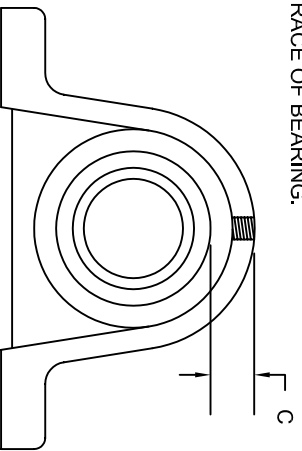
STEP NO. 1:
REMOVE GREASE FITTING



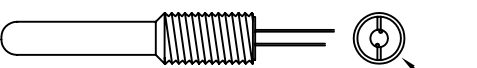
STEP NO. 3:
INSERT SENSOR PROBE
INTO SENSOR HOUSING.



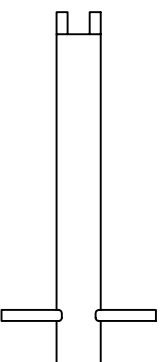
STEP NO. 2:
MEASURE DISTANCE C FROM TOP OF PILLOW BLOCK
TO OUTER RACE OF BEARING.



SENSOR PROBE LENGTH NEEDED = C DIMENSION + 1.50"
EXAMPLE: C DIMENSION = .75" .75" + 1.50" = 2.25" SENSOR LENGTH



TOP OF SLOTTED
SENSOR PROBE.

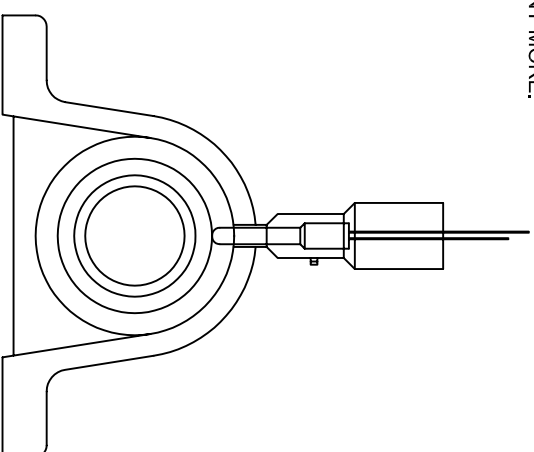


MAXI-TRONIC SLOTTED
SCREW DRIVER
PART #948,000350

NOTE: FOR PROPER OPERATION SENSOR
PROBE MUST BE MAKING CONTACT WITH
OUTER RACE OF BEARING!!!

NOTE: BE SURE SENSOR HAS NOT
BOTTOMED OUT WITHIN THE OUTER
HOUSING BEFORE TOUCHING THE
BEARING RACE.

STEP NO. 4:
USING MAXI-TRONIC SLOTTED SCREW DRIVER,
SCREW SENSOR PROBE INTO HOUSING UNTIL
PROBE BOTTOMS OUT ON OUTER RACE. THE
POINT WHERE PROBE WILL NOT SCREW DOWN
ANY MORE.



"A" Insert Length	Minimum Dimension "C"	To Maximum Dimension "C"
1.5"	.0 To .250	
2.0"	.0 To .750	
2.5	.750 To 1.250	
2.75"	1.0 To 1.500	
3.0"	1.250 To 1.750	
3.5"	1.750 To 2.250	
4.0"	2.250 To 2.750	
4.5"	2.750 To 3.250	